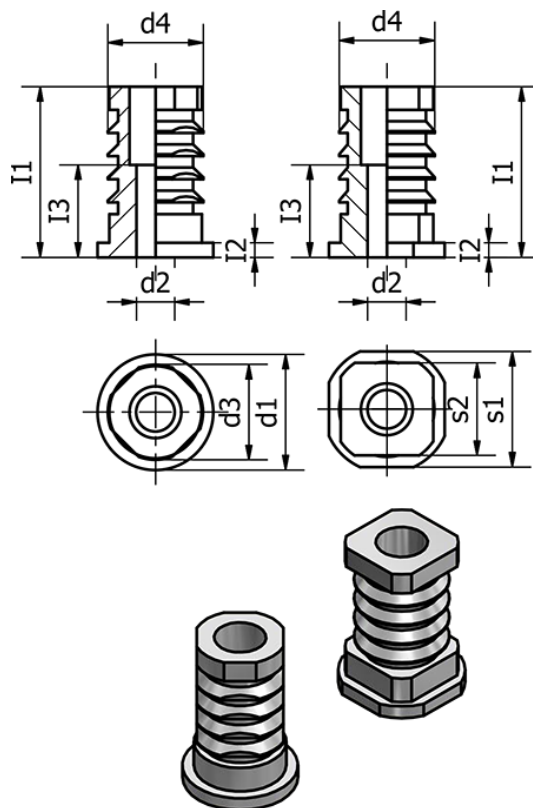


Article number: 20992V45M12

Description: E+G Threaded end-caps - GN 992-V45-M12

Measures



d1 =	s2 = 39
d2 = 12	Weight (g) = 165
d3 =	
d4 = 39.5	
I1 = 45.5	
I2 = 2.5	
I3 = 30	
s1 = V45	